



1 JOHNSON ST. SUITE 118 CARTERSVILLE, GA. 30120 PHONE 678-721-4569

EVO SYSTEM[®]

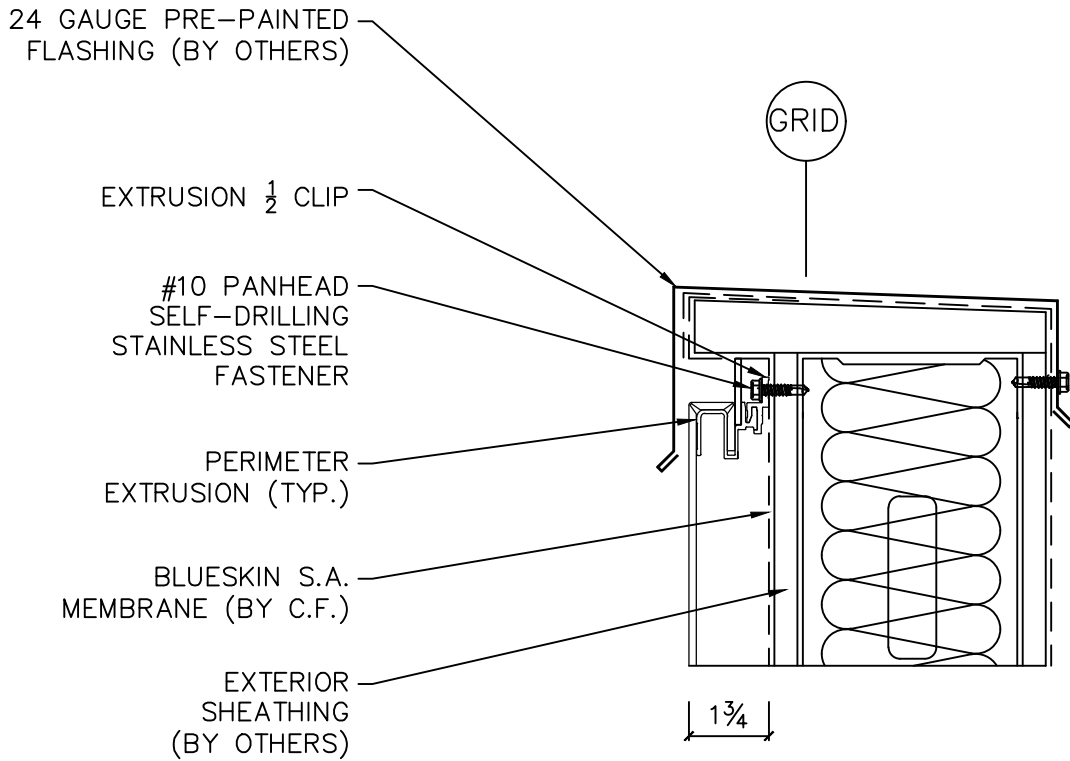
TABLE OF CONTENTS

CF-00	Table of Contents
CF-01	Parapet Cap Detail Option 1 (Section)
CF-02	Parapet Cap Detail Option 2 (Section)
CF-03	Base Detail – Roof / Wall Transition (Section)
CF-04	Jamb Detail (Plan)
CF-05	Horizontal Joint Detail (Section)
CF-06	Vertical Joint Detail (Plan)
CF-07	Inside Corner Detail (Plan)
CF-08	Outside Corner Detail (Plan)
CF-09	Column Detail (Plan)
CF-11	Head Detail (Section)

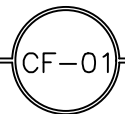


1 JOHNSON ST. SUITE 118 CARTERSVILLE, GA. 30120 PHONE 678-721-4569

EVO SYSTEM®



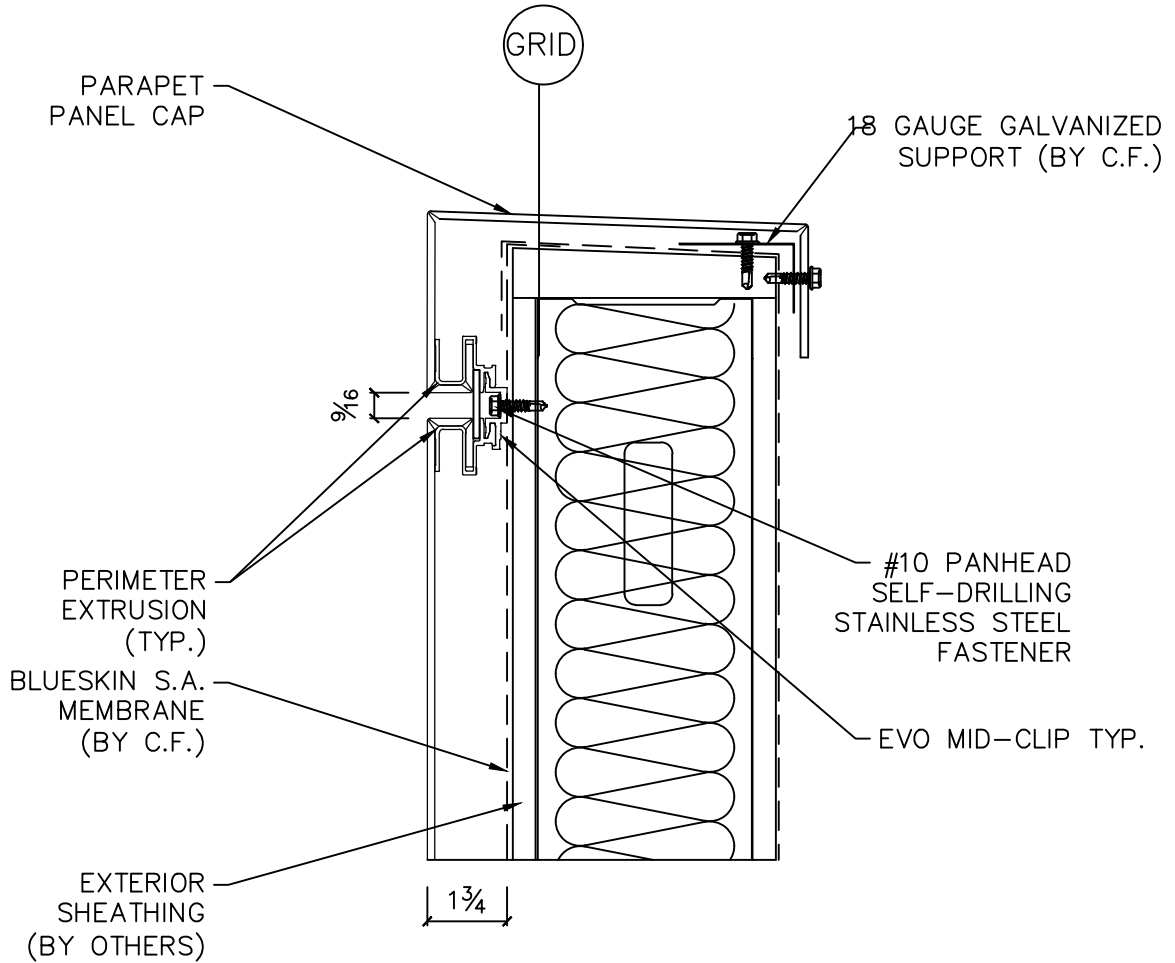
SECTION DETAIL





1 JOHNSON ST. SUITE 118 CARTERSVILLE, GA. 30120 PHONE 678-721-4569

EVO SYSTEM®



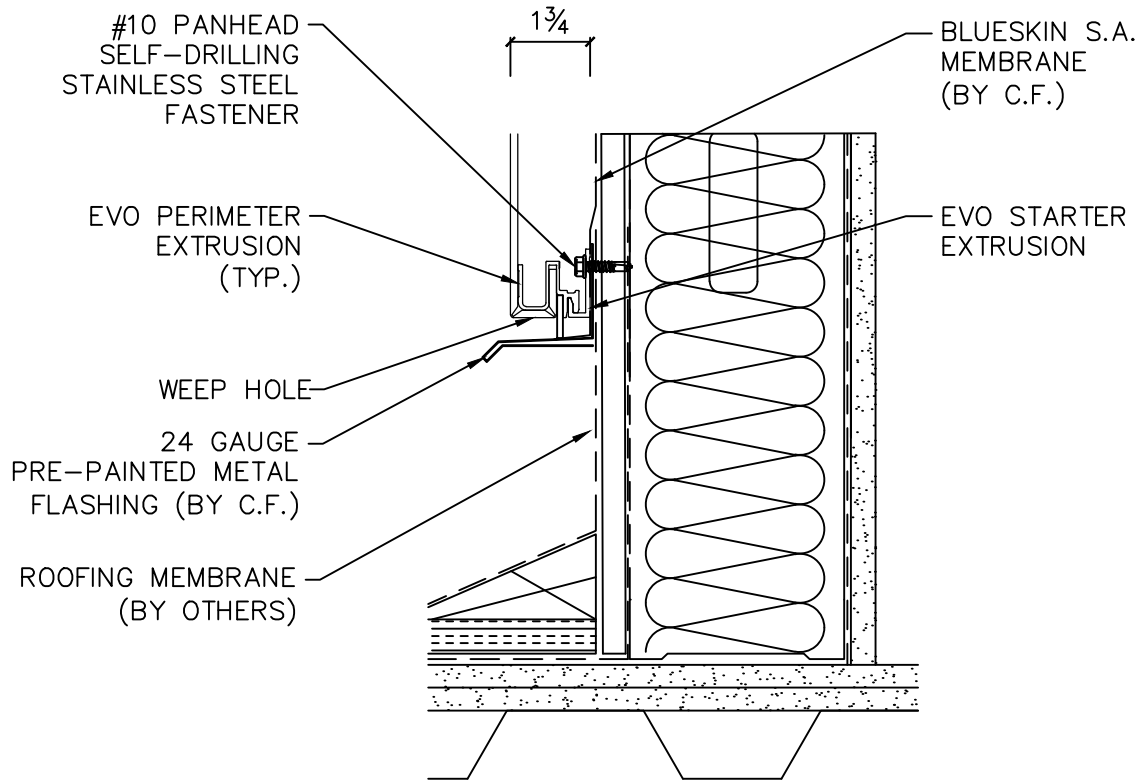
SECTION DETAIL

CF-02



1 JOHNSON ST. SUITE 118 CARTERSVILLE, GA. 30120 PHONE 678-721-4569

EVO SYSTEM[®]



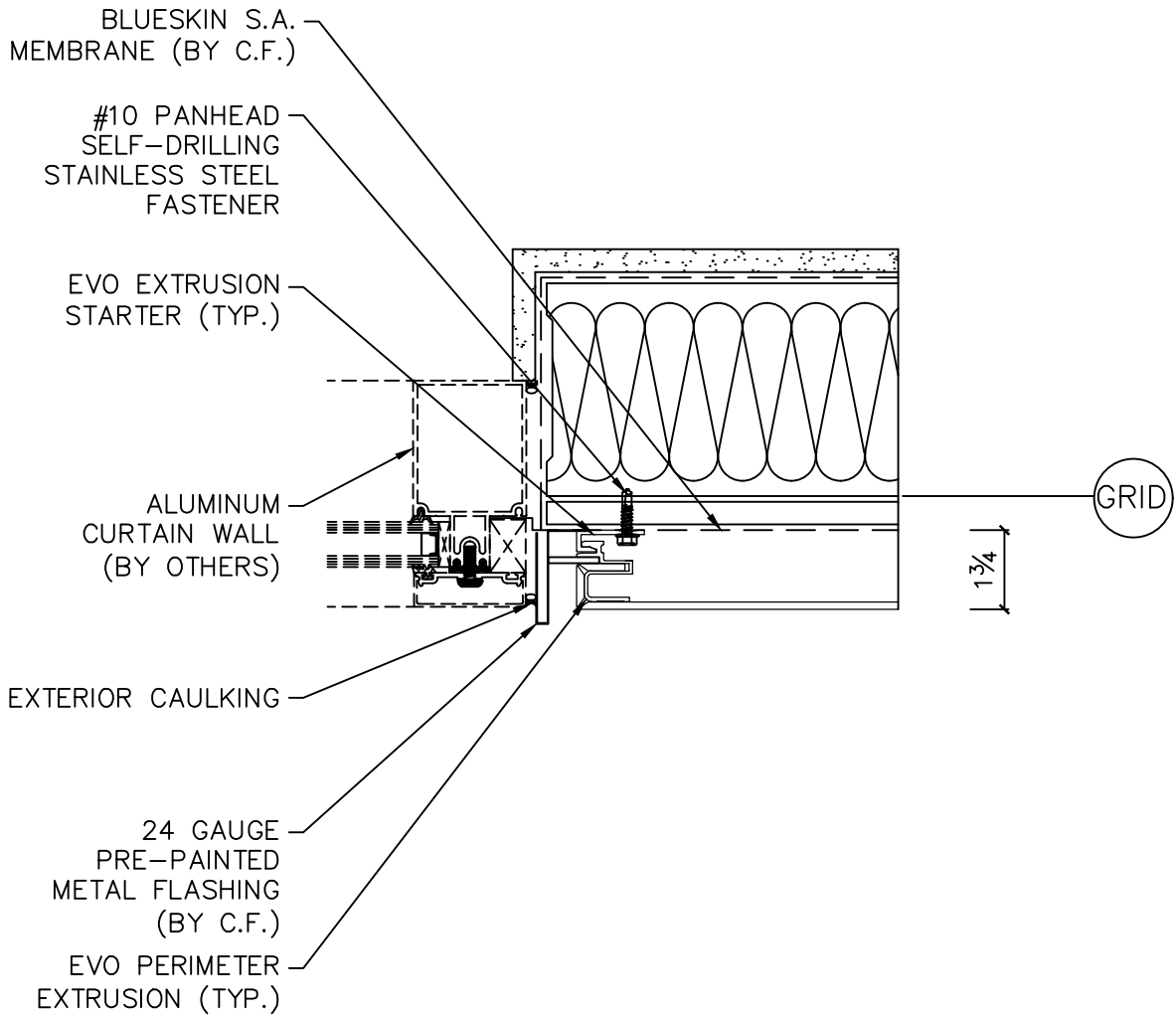
SECTION DETAIL





1 JOHNSON ST. SUITE 118 CARTERSVILLE, GA. 30120 PHONE 678-721-4569

EVO SYSTEM®



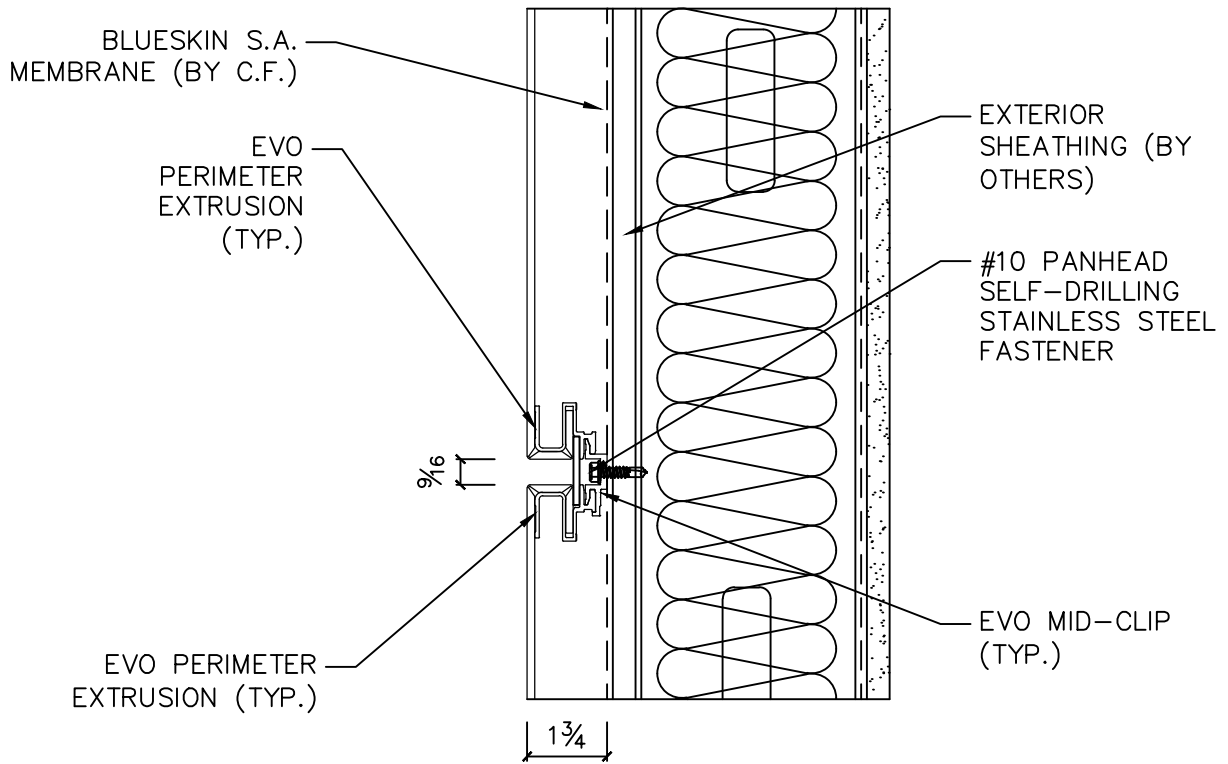
SECTION DETAIL

CF-04



1 JOHNSON ST. SUITE 118 CARTERSVILLE, GA. 30120 PHONE 678-721-4569

EVO SYSTEM®



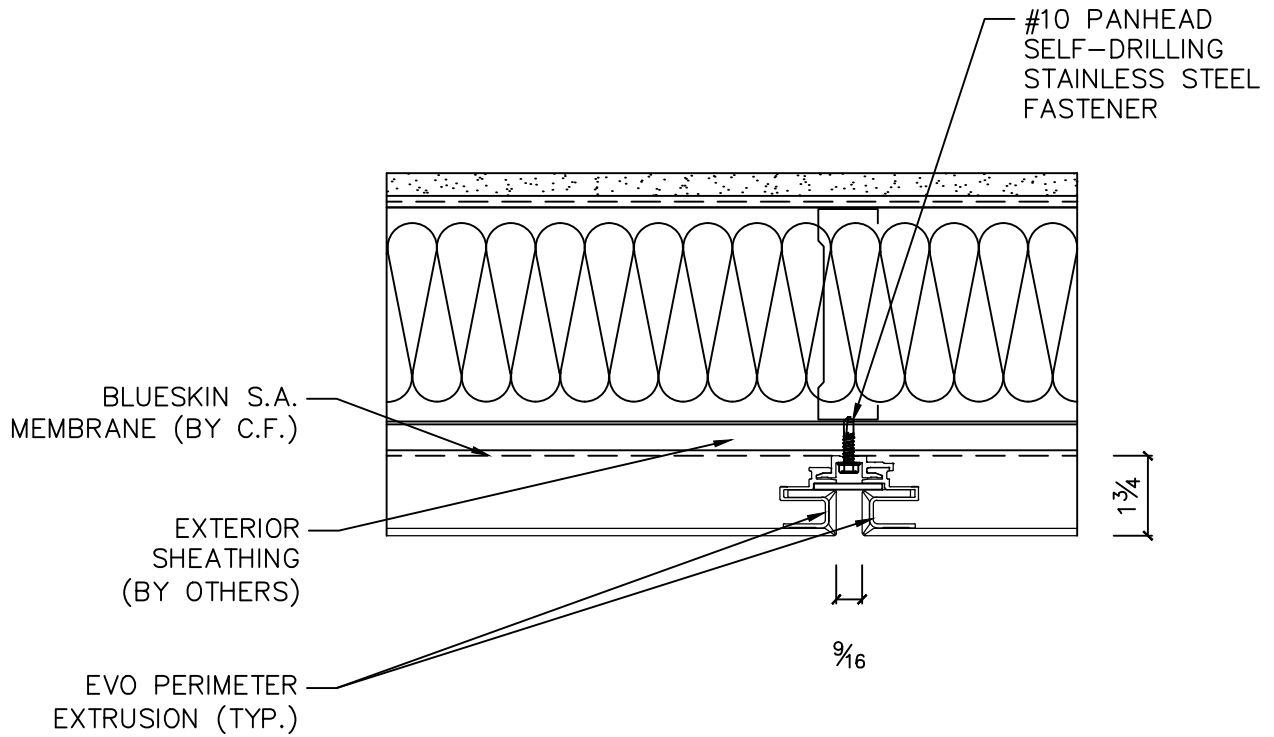
SECTION DETAIL

CF-05



1 JOHNSON ST. SUITE 118 CARTERSVILLE, GA. 30120 PHONE 678-721-4569

EVO SYSTEM®



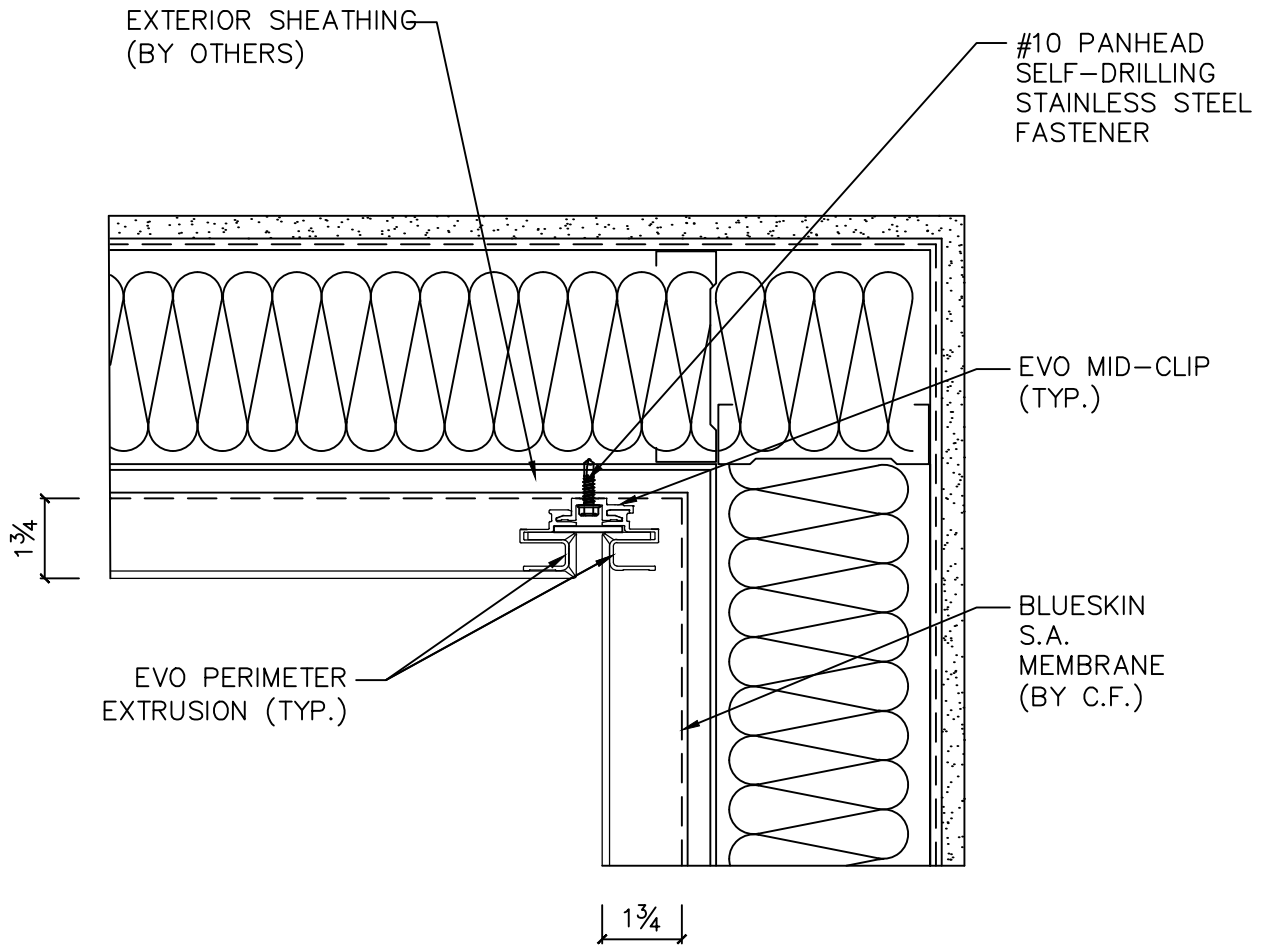
SECTION DETAIL

CF-06



1 JOHNSON ST. SUITE 118 CARTERSVILLE, GA. 30120 PHONE 678-721-4569

EVO SYSTEM®



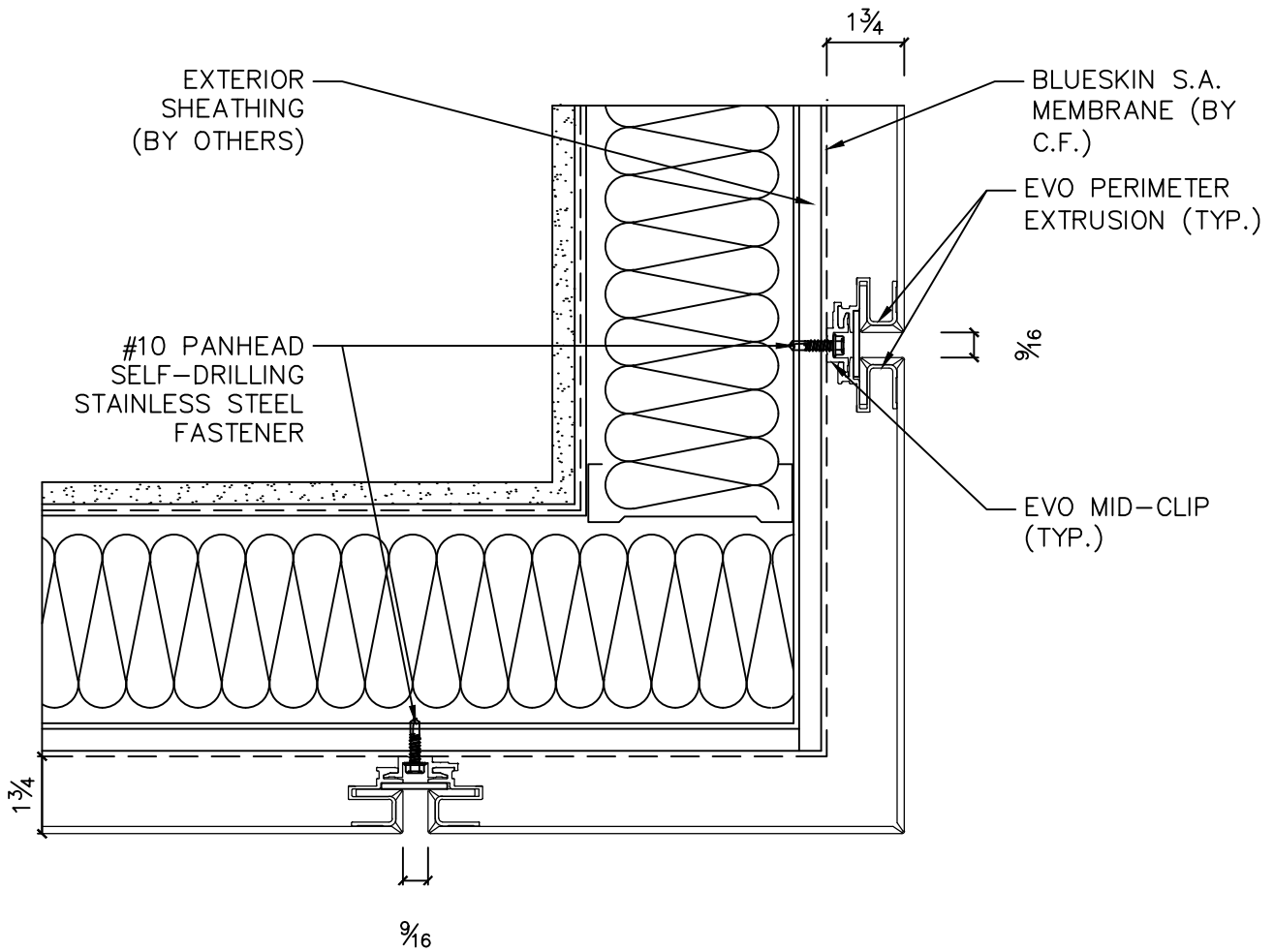
SECTION DETAIL

CF-07

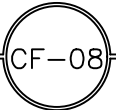


1 JOHNSON ST. SUITE 118 CARTERSVILLE, GA. 30120 PHONE 678-721-4569

EVO SYSTEM[®]



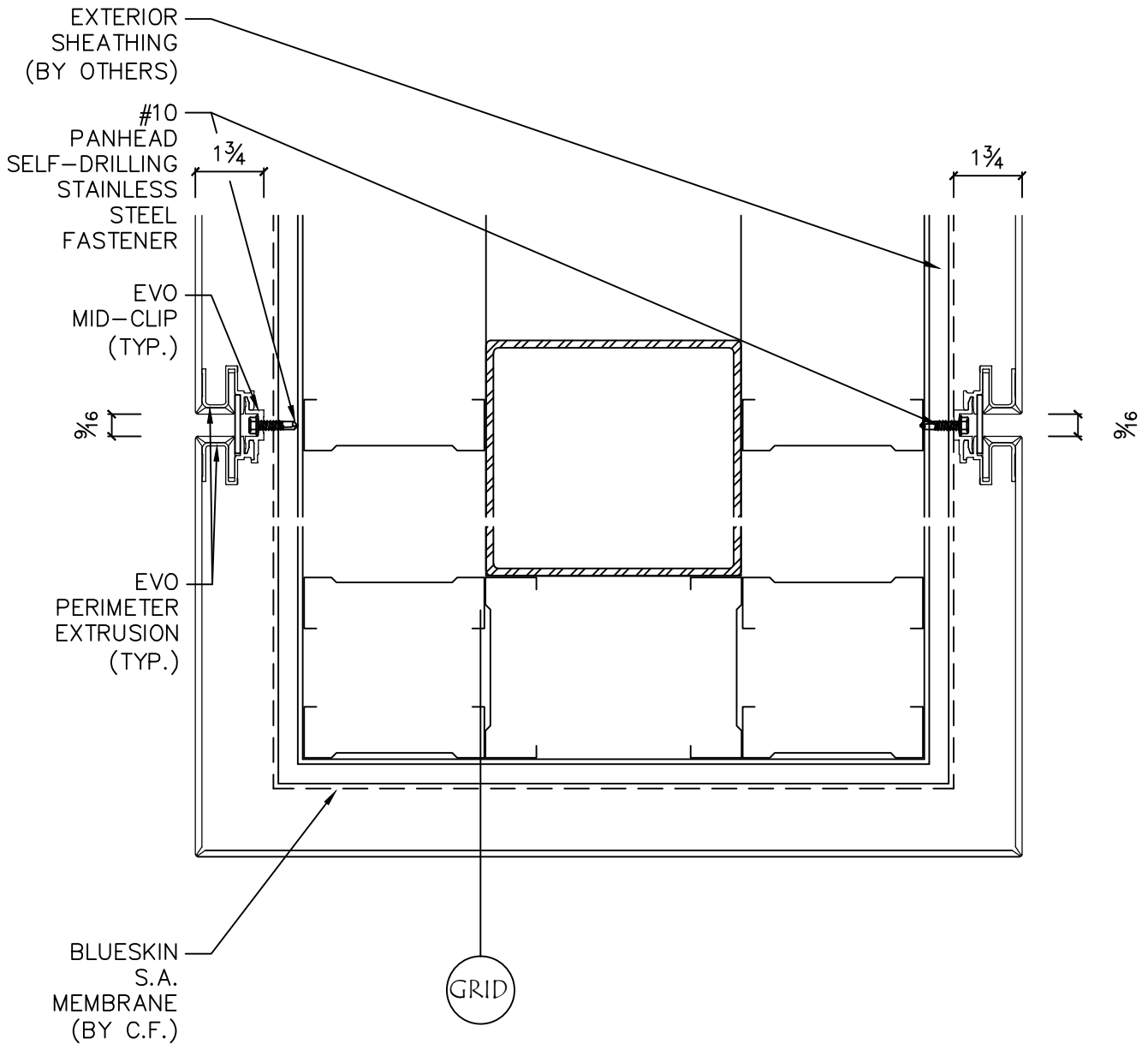
SECTION DETAIL





1 JOHNSON ST. SUITE 118 CARTERSVILLE, GA. 30120 PHONE 678-721-4569

EVO SYSTEM®



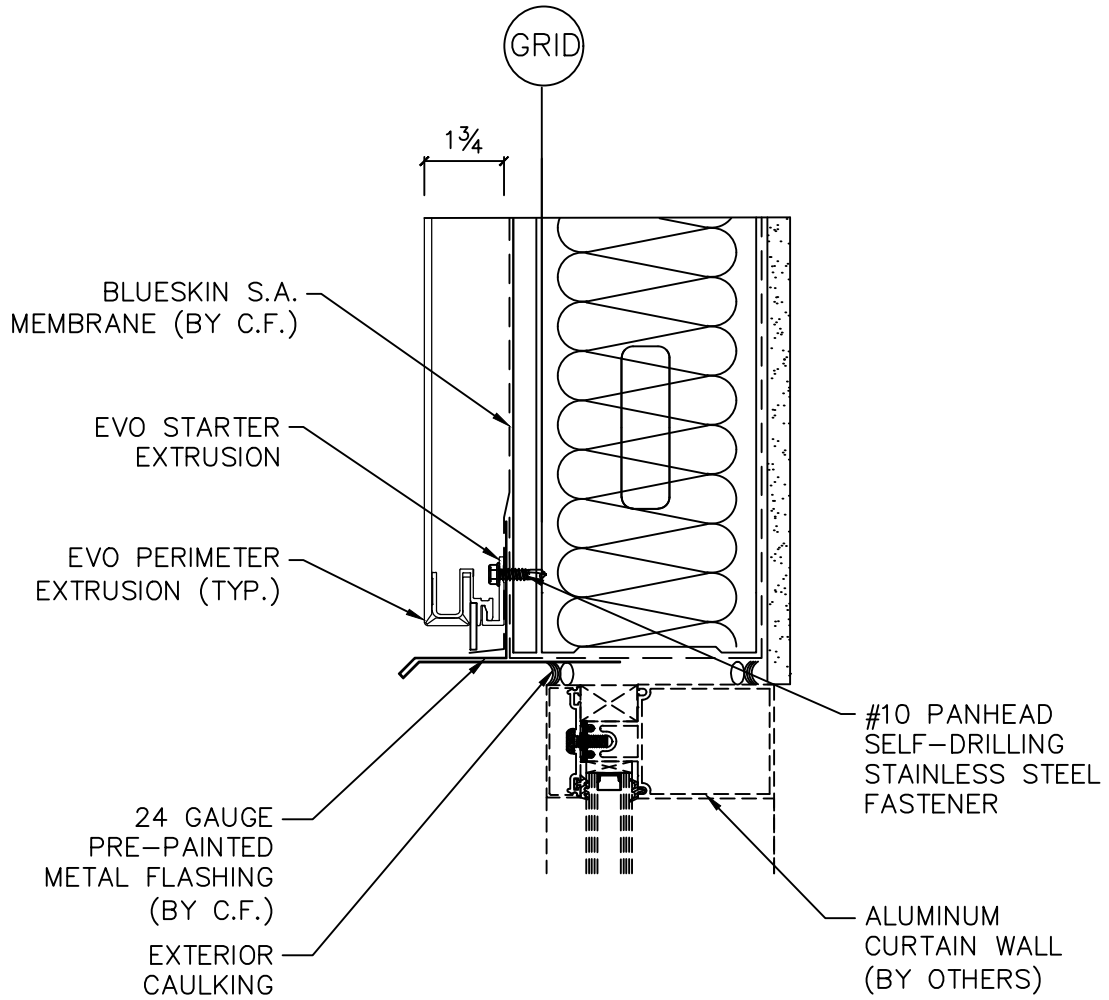
SECTION DETAIL

CF-09



1 JOHNSON ST. SUITE 118 CARTERSVILLE, GA. 30120 PHONE 678-721-4569

EVO SYSTEM®



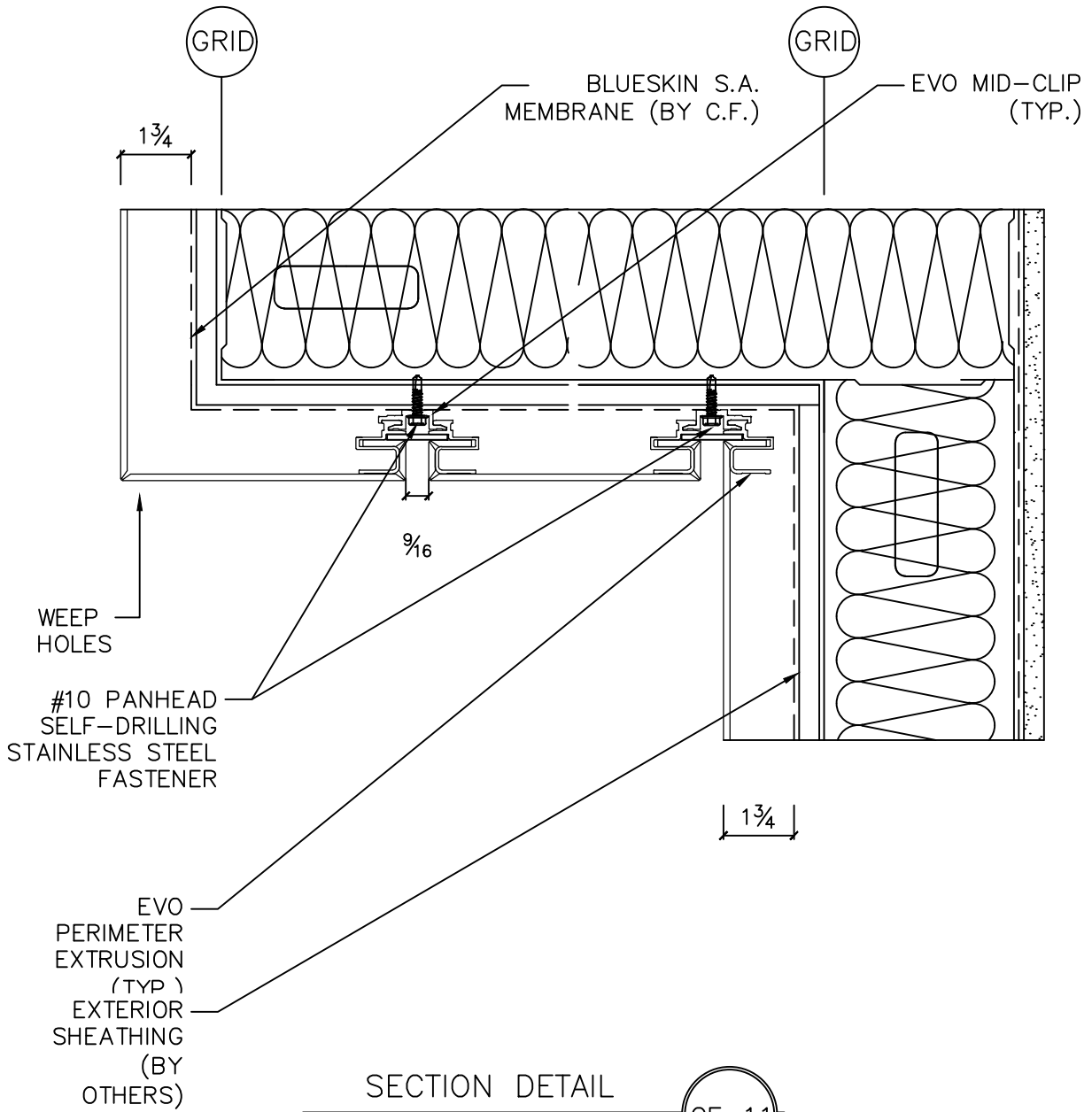
SECTION DETAIL

CF-10



1 JOHNSON ST. SUITE 118 CARTERSVILLE, GA. 30120 PHONE 678-721-4569

EVO SYSTEM®



SECTION DETAIL

CF-11